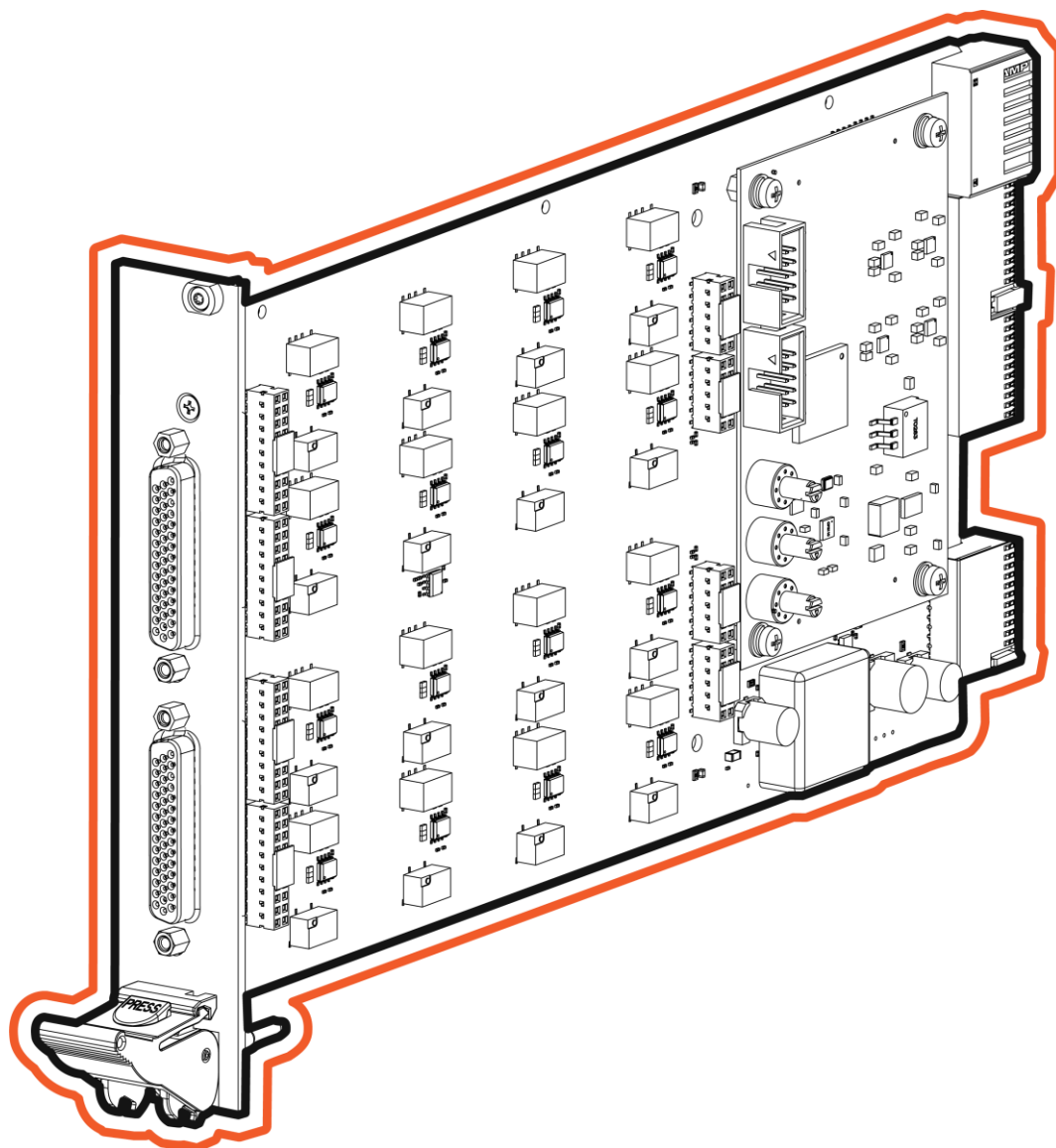


DE9100 DATASHEET

SLSC CURRENT INPUT MODULE 100MA



 **DEICO**

Contents

DESCRIPTION.....	1
HARDWARE OVERVIEW	2
Circuitry.....	2
Hardware Specifications	3
Electrical.....	3
Physical.....	3
Environmental.....	3
SIGNAL CONNECTIONS.....	4
J1, J2 Pinout (Front)	4
XJ2 Connector Pinout (Rear)	5
XJ3 Connector Pinout (Rear)	6
CONFIGURATION.....	6
PROGRAMMING THE DEVICE.....	6
Programming the Device in Software	6
SAFETY GUIDELINES	6
COMPATIBILITY GUIDELINES.....	7
Electromagnetic Compatibility Guidelines	7
NOTES.....	8

DESCRIPTION

DE9100 SLSC Current Input Module 100MA is a 16-channel current sense module used in the SLSC enclosure, which connects to test equipment and products under test. It gives analog voltage information in the range of 0.5-4.5V by using the current in the range of $\pm 100\text{mA}$ from the input. Signal inputs are relay controlled and relay control is provided by the controller on the module. The SLSC case is required to use the product.



Note DE9100 is compatible with DE9002 SLSC Instrument Expansion Module and able to measure all of the routed channels when used together.

The general features of DE9100 are listed below:

- ⇒ 16 channels
- ⇒ Independent channel configurations
- ⇒ Current input in the range of $\pm 100\text{mA}$
- ⇒ Voltage output in the range of 0.5-4.5V
- ⇒ 0.15% resolution
- ⇒ Load can be connected in the range of -22V to +60V
- ⇒ SLSC chassis compatible
- ⇒ 2 slots for Instrumentation Expansion Modules

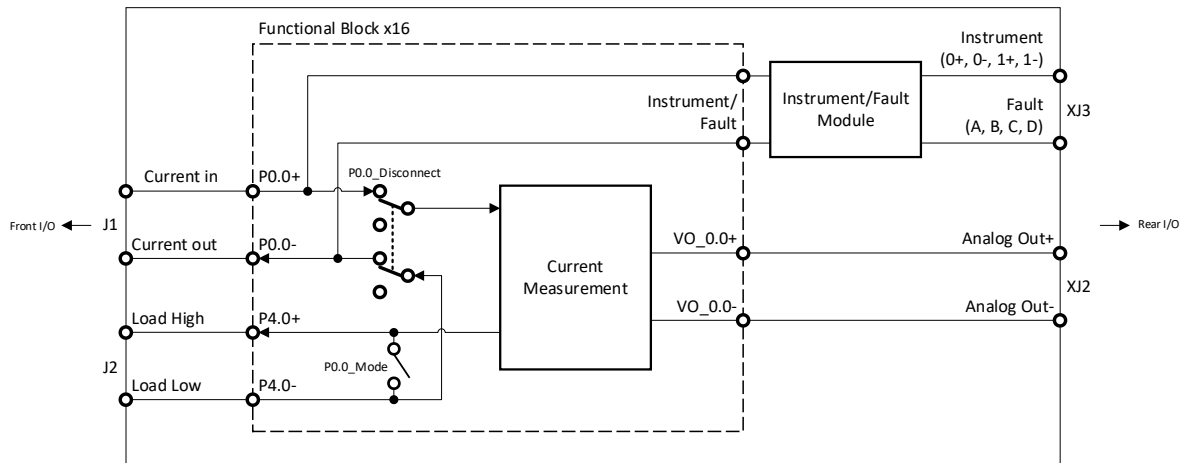
DE9100 is compatible with *IEC 60068-2-1/ IEC 60068-2-2/ IEC 60068-2-78/ IEC 60068-2-27/ IEC 60068-2-64/ EN 61326 (IEC 61326) / EN 55011 (CISPR 11) / AS/NZS CISPR 11/ FCC 47 CFR Part 15B/ ICES-001* standards.

Areas of application include:

- ⇒ HIL Testing
- ⇒ Current Input Measurement

HARDWARE OVERVIEW

Circuitry



Hardware Specifications

Electrical

Specification	Minimum	Typical	Maximum	Notes
Current Input Range	-100mA	—	100mA	—
Input Resolution	—	0.15%	—	With respect to full scale
Output Voltage	0.5V	—	4.5V	—
Common Mode Voltage	-22V	—	60V	—

Physical

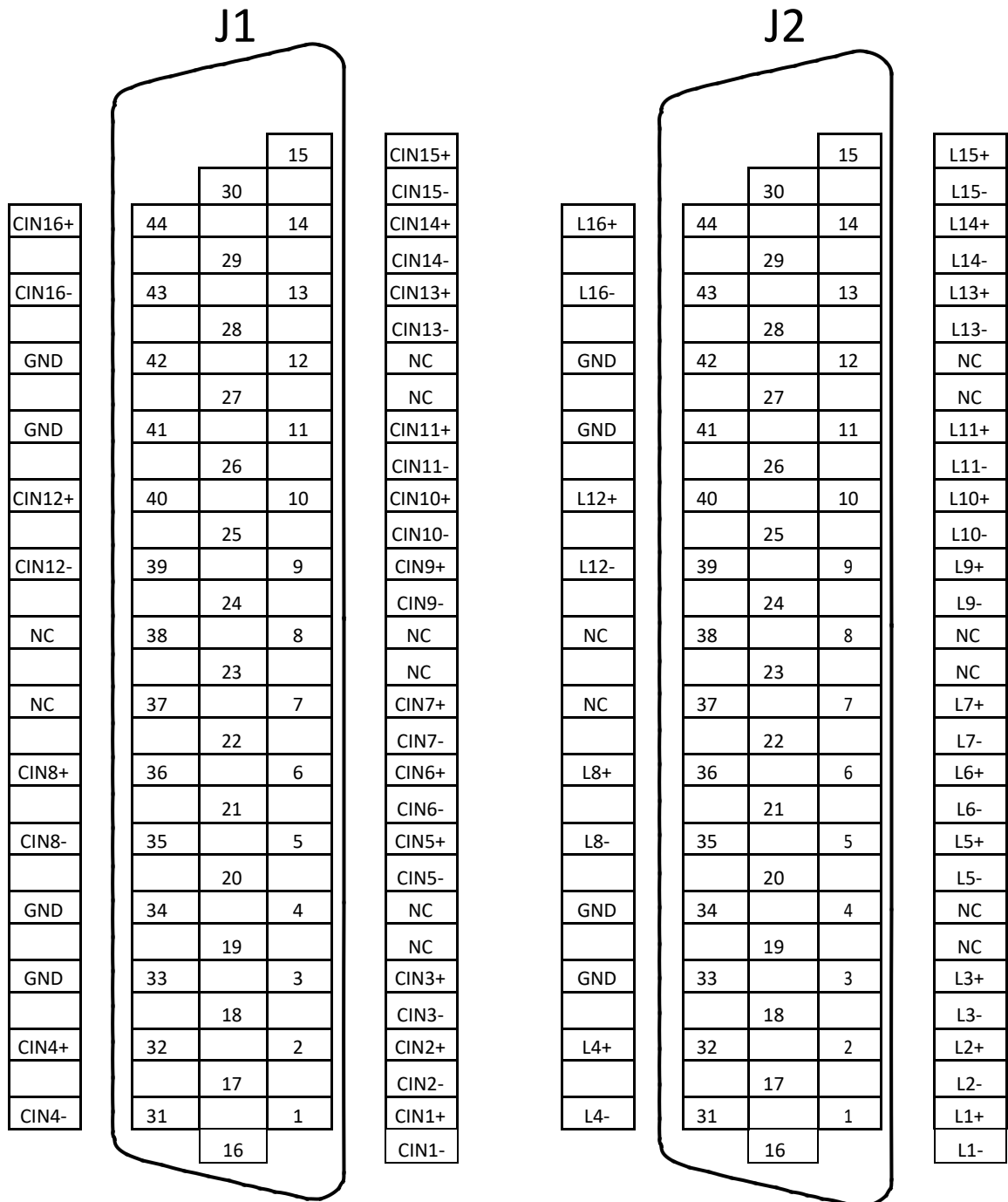
Specification	Typical	Notes
Dimensions	144.32mm x 30.48mm x 302mm (excluding ejector)	SLSC Standard Dimensions
Front panel connectors (x2)	HD44F	MPN: 2311770-1

Environmental

Specification	Condition	Value
Operating Humidity	Relative, non-condensing	10% - 90%
Storage Humidity	Relative, non-condensing	5% - 95%
Operating Temperature	Forced-air cooling from chassis	0°C - 40°C
Storage Temperature	Non-operational	-40°C - 85°C

SIGNAL CONNECTIONS

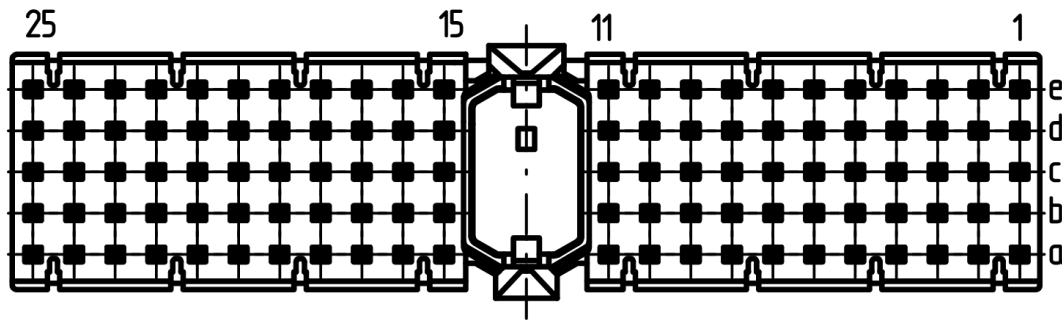
J1, J2 Pinout (Front)



J1, J2 Connector Pin Assignments

Signal	Description
CINx	Current Input Channel x
Lx	Load Channel x
GND	Ground connection
NC	No connection

XJ2 Connector Pinout (Rear)



XJ2 Connector Pin Assignments

Row	a	b	c	d	e
1	VO1+	VO1-	NC	VO2+	VO2-
2	VO3+	VO3-	NC	VO4+	VO4-
3	GND	GND	GND	GND	GND
4	VO5+	VO5-	NC	VO6+	VO6-
5	VO7+	VO7-	NC	VO8+	VO8-
6	GND	GND	GND	GND	GND
7	VO9+	VO9-	NC	VO10+	VO10-
8	VO11+	VO11-	NC	VO12+	VO12-
9	GND	GND	GND	GND	GND
10	VO13+	VO13-	NC	VO14+	VO14-
11	VO15+	VO15-	NC	VO16+	VO16-
15	NC	NC	NC	NC	NC
16	NC	NC	NC	NC	NC
17	GND	GND	GND	GND	GND
18	NC	NC	NC	NC	NC
19	NC	NC	NC	NC	NC
20	GND	GND	GND	GND	GND
21	NC	NC	NC	NC	NC
22	NC	NC	NC	NC	NC
23	GND	GND	GND	GND	GND
24	NC	NC	NC	NC	NC
25	NC	NC	NC	NC	NC

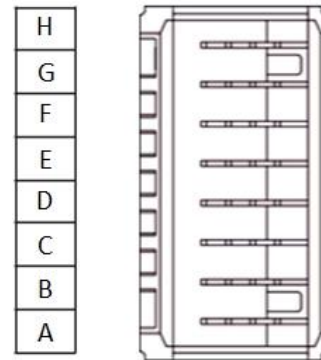
XJ2 Connector Signal Descriptions

Signal	Description
VOx	Voltage Output Channel x
GND	Ground connection
NC	No connection

XJ3 Connector Pinout (Rear)

XJ3 Connector Pin Assignments

Pins	Signal
A	FAULTD
B	FAULTC
C	FAULTB
D	FAULTA
E	INST1-
F	INST1+
G	INST0-
H	INST0+



CONFIGURATION

DE9100 control is based on NI-SLSC API. Before installing the device, NI-SLSC 19.5 or later must be installed. After installing software & the device, the device appears in the <LabVIEW Folder>\examples\SLSC\Configuration.vi front panel under the related SLSC Chassis when the VI is executed. If the device does not appear in Configuration VI, use the following troubleshooting guidelines:

- ⇒ Verify that the related SLSC Chassis is present on NI MAX and Configuration VI.
- ⇒ Use 'Refresh' button on the Configuration VI for the SLSC Chassis.
- ⇒ Use 'Restart' button on the Configuration VI to restart the SLSC Chassis.
- ⇒ Power off and unplug the chassis, and install the device in a different slot.

PROGRAMMING THE DEVICE

Programming the Device in Software

To use DE9100 in software, DE9100 LabVIEW Driver must also be installed on the system. After the driver is installed, device control VIs can be found on Instrument I/O>Instr Drivers>DE9100 palette in LabVIEW. Driver also provides programming examples. For more information on the subject, refer to the User Manual of DE9100.

SAFETY GUIDELINES



Caution Do not operate the DE9100 in a manner not specified in this document. Product misuse can result in a hazard. You can compromise the safety protection built into the product if the product is damaged in any way. If the product is damaged, return it for repair.

COMPATIBILITY GUIDELINES

Electromagnetic Compatibility Guidelines

This product was tested and complies with the regulatory requirements and limits for electromagnetic compatibility (EMC). These requirements and limits provide reasonable protection against harmful interference when the product is operated in the intended operational electromagnetic environment.

This product is intended for use in industrial locations. However, harmful interference may occur in some installations, if the product is connected to a peripheral device or test object, or if the product is used in residential or commercial areas. To minimize interference with radio and television reception and prevent unacceptable performance degradation, install and use this product in strict accordance with the instructions specified in the product documentation.

Furthermore, any changes or modifications to the product not expressly approved by DEICO could void your authority to operate it under your local regulatory rules.



Caution To ensure the specified EMC performance, operate this product only with shielded cables and accessories.

Caution To ensure the specified EMC performance, the length of any cable attached to connectors J1 and J2 must not be longer than 3 m (10 ft.)



Contact

DEICO Head Office

Teknopark Ankara, Serhat Mah.,
2224 Cad., No:1 F Blok, Z-12,
Yenimahalle, Ankara, Türkiye

support@deico.com.tr

+90 312 395 68 44



www.deico.com.tr

